

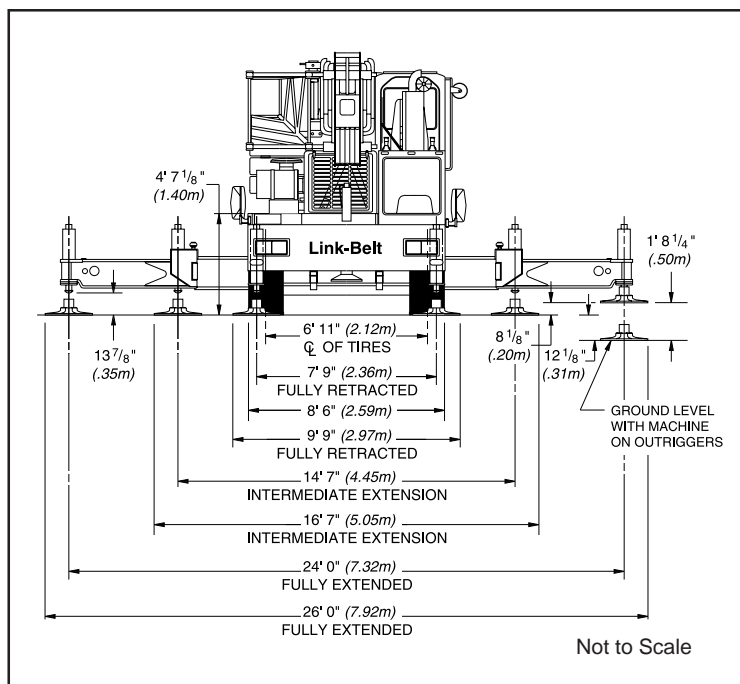
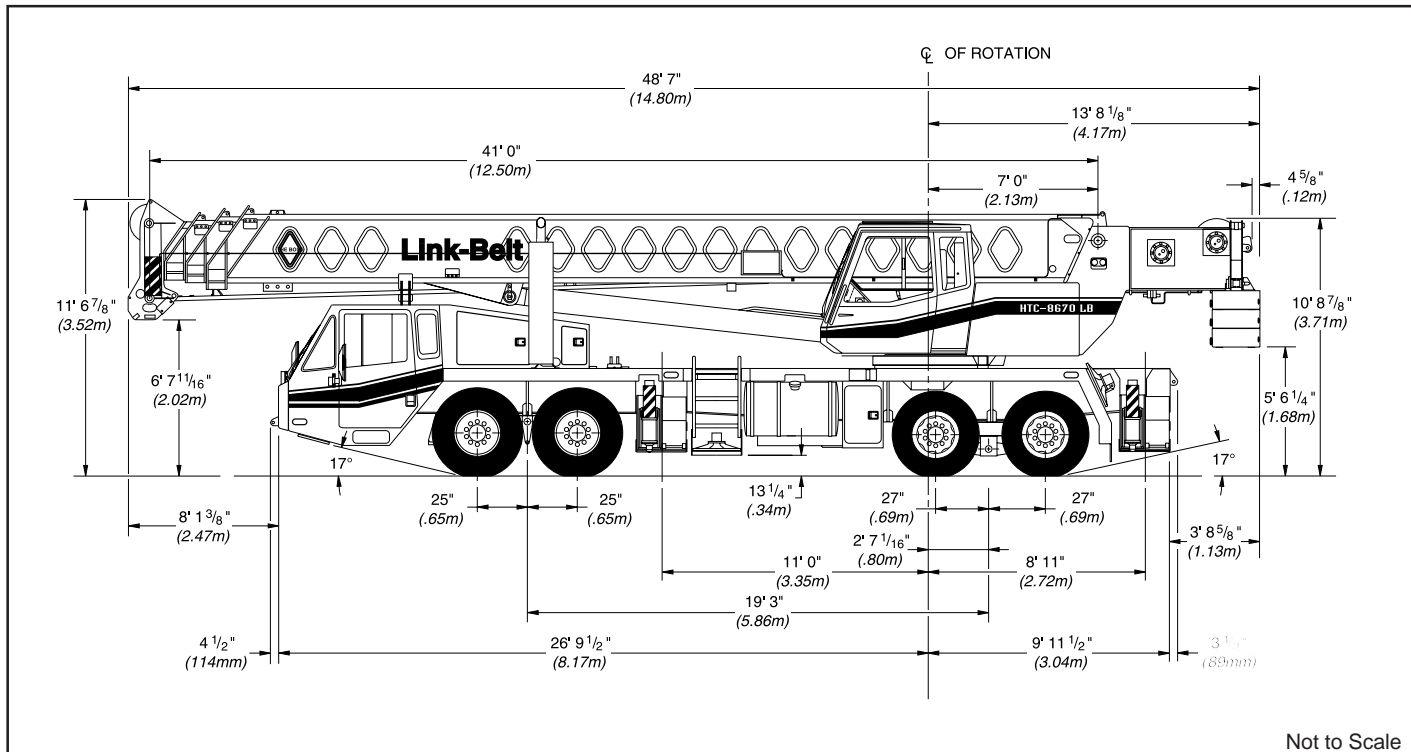


TRANSPORTATION SPECS - Hydraulic Truck Cranes

LINK-BELT MODEL HTC-8675LB - 75 TON CAPACITY

<u>COMPONENT WEIGHTS</u>	<u>LBS.</u>	<u>KGS.</u>			
Complete Crane w/o Dolly (1) (incl. block, ball & 39'6" – 67' jib)	99,315	45 061			
Complete Crane c/w 8,000 lb. counterweight (2)	91,315	41 431			
Main Unit	79,446	36 046			
Counterweight (3 pieces @ 4000 and 2 @ 2000)	16,000	7 260			
Certificate Weight		45 000			
<u>ADDITIONAL INFORMATION</u>					
60 Ton Block	1,109	504			
8.5 Ton Ball	360	163			
39'6" – 67' Two Piece Fly	2,380	1 080			
Boom Dolly	8,500	3 856			
Main Load Line (3/4" x 670')	697	316			
Auxiliary Load Line (3/4" x 670')	697	316			
<u>TRANSPORTATION</u>					
Maximum Speed: 60 km/hr 37.5 mph					
<u>Alberta & British Columbia</u>					
	<u>Weight</u>	<u>Trailer</u>	<u>Colorado</u>	<u>Weight</u>	<u>Trailer</u>
• Normally	(1) Drive	Tandem Dolly c/w 8,000 lb. cwt.	• Complete Crane (2) c/w 8,000 lb. counterweight	(2) Drive	--
• Spring / Road Ban Period	(1) Drive	Tandem Dolly c/w 12,000 lb. cwt.	• 8,000 lb. counterweight c/w miscellaneous	(2) Drive	S/A Truck
<u>Saskatchewan</u>					
• Normally	(1) Drive	Tandem Dolly c/w 5 pcs. Cwt.			
• Road Ban Period	(1) Drive	Restricted travel on some secondary roads			

ASTHA STERLING CRANE



General Dimensions	feet	meters
Turning radius (curb to curb)	41' 7"	12.67
Turning radius (wall to wall)	51' 9"	15.77
Ground clearance	13-1/4"	.34
Tailswing	13' 9"	4.19