



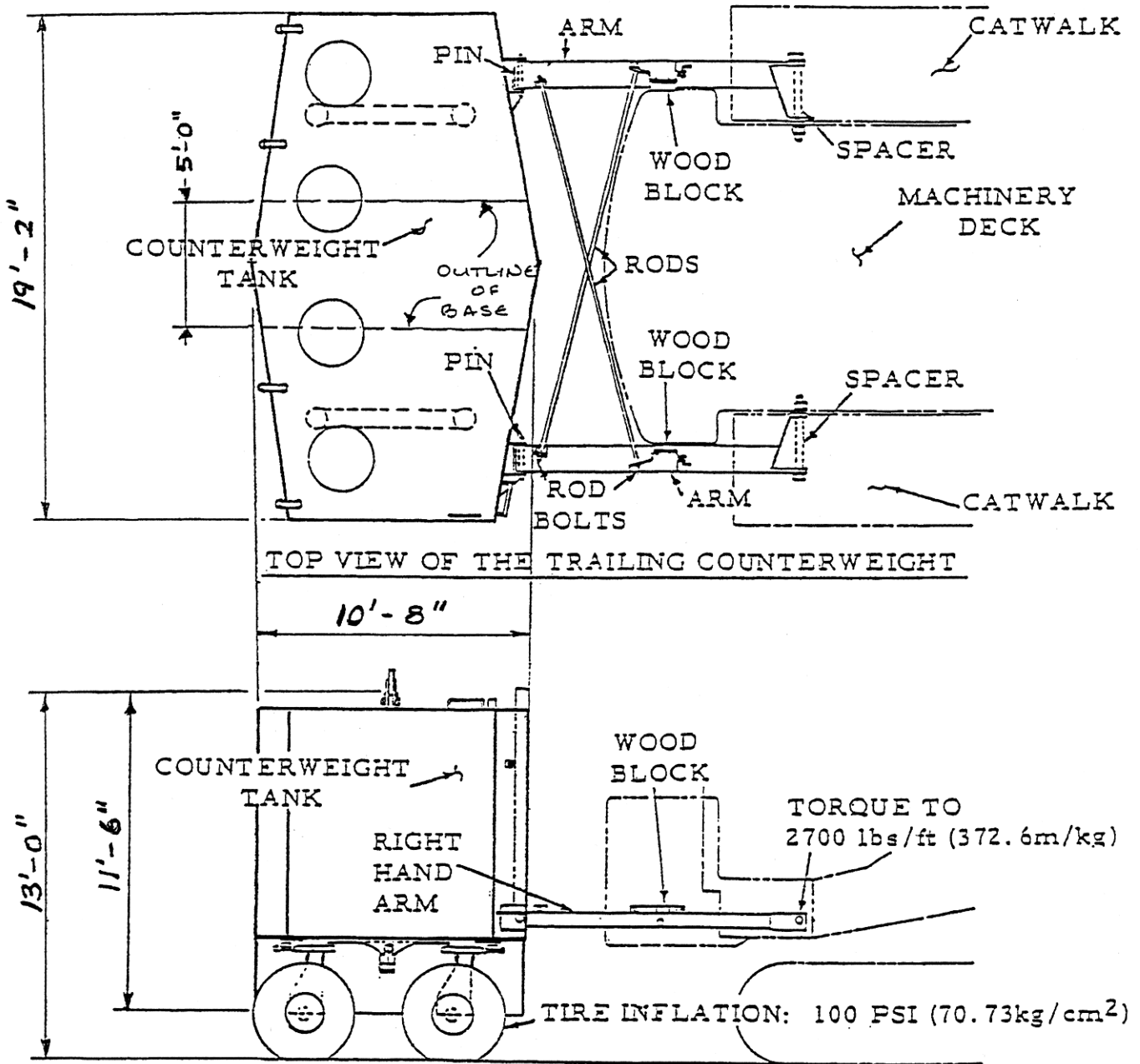
TRANSPORTATION SPECS - Heavy Lift Attachments

AMERICAN SKY HORSE

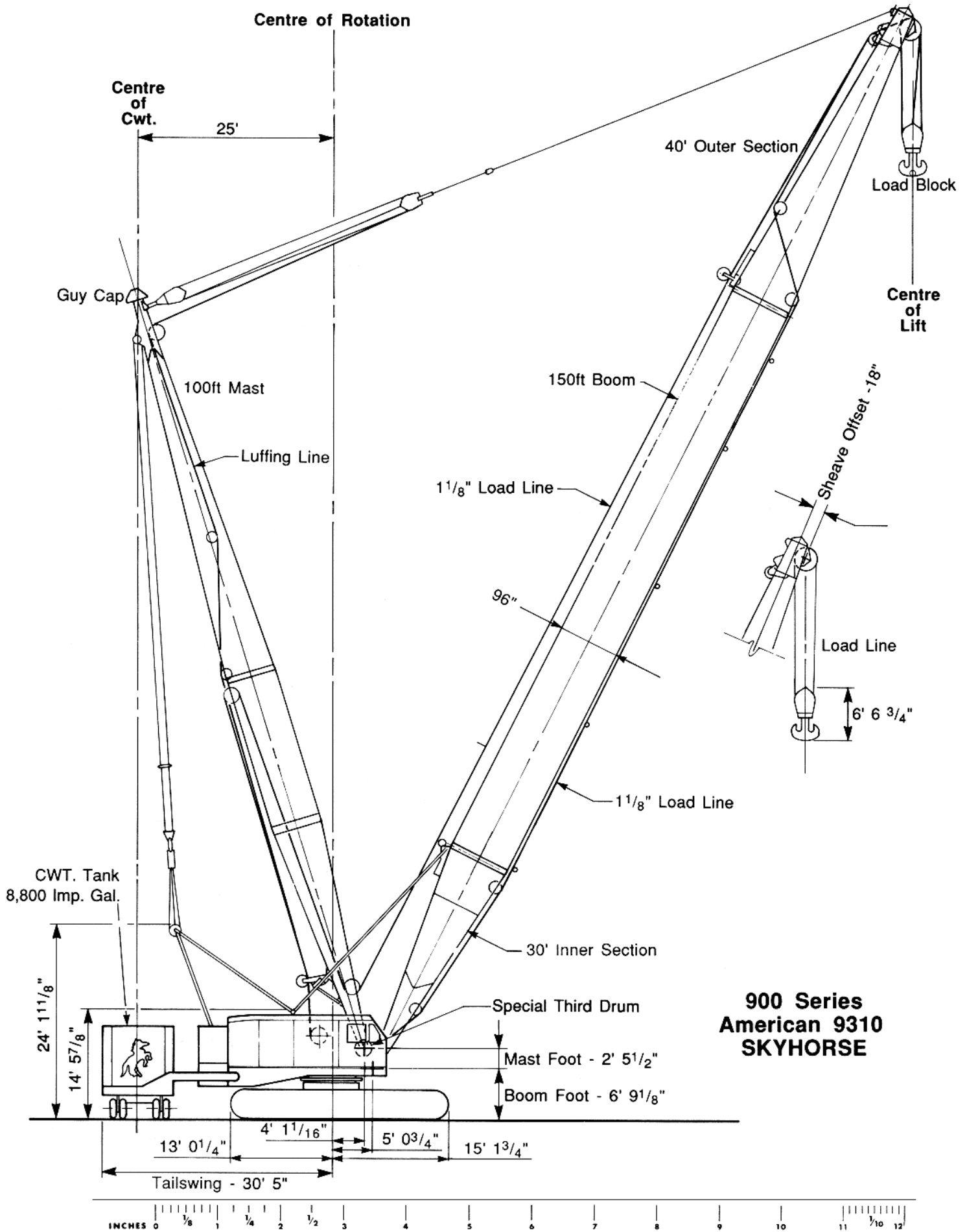
<u>COMPONENT WEIGHTS</u>	<u>LBS.</u>	<u>KGS.</u>	<u>BOOM TYPE 92H 150' MIN. / 350' MAX.</u>	<u>LBS.</u>	<u>KGS.</u>
Sky horse tank w/o wheels			O.D. (tubular) 92 1/2 X 92 1/2		
- w/o billets	25,600	11 615	Butt 30'	9,000	4 084
- c/w 33 billets for water filled tanks	40,000	18 144	Tip 40' c/w Pendants	12,000	5 445
- c/w 66 billets for fuel filled tanks	54,244	24 605	Insert 10' c/w Pendants	1,800	817
Wheels	14,700	6 670	Insert 20' c/w Pendants	3,550	1 611
Rigging Box (16' x 9' x 6')	22,000	9 982	Insert 50' c/w Pendants	6,000	2 723
Billets (8' x 4" x 4") each	434	197	Insert 50' XH c/w Pendants (See boom & jib sections for composition details.)	7,300	3 313
<u>ADDITIONAL INFORMATION</u>			<u>MAST TYPE 77M 100' MIN. / 180' MAX</u>		
Main Load Line (1 1/8" x 2,367')	5,540	2 514	OD (tubular) 77 1/2 x 77 1/2		
Boom Susp. Line (1 1/8" x 1,245')	2,913	1 322	Butt 30'	3,980	1 806
Mast Susp. Line (7/8" x 850')	1,207	548	Tip 50' c/w Pendants	10,000	4 537
Tank Capacity	Imp. Gal. 8,500	US Gal. 10,000	Insert 10' c/w Pendants	1,400	635
			Insert 20' c/w Pendants	2,450	1 112
			Insert 50' c/w Pendants	5,450	2 473
			Insert 20' Special c/w Pendants	2,800	1 270
<u>TRANSPORTATION</u>			<u>JIB NO. 16HL 40' MIN. / 100' MAX.</u> (10' and 20' sections)		
<u>Alberta, British Columbia and Saskatchewan</u>	<u>Weight</u>	<u>Trailer</u>	O.D. (tubular) 33 3/4 x 33 3/4"		
• Sky Horse tank	See above	Tri-LB	40' c/w Pendants	2,625	1 191
			100' c/w Pendants	4,150	1 883
Wheels and rigging box can be hauled with boom and mast sections.			<u>OPTIONAL JIB NO. 30 35' MIN. / 105' MAX.</u> (10' and 20' sections)		
			35' c/w Pendants	4,035	1 831
			105' c/w Pendants	7,100	3 221

*Sky horse attachment is added to the basic 9310 crawler crane.

ASTHA STERLING CRANE



ASTHA STERLING CRANE



ASTHA STERLING CRANE

AMERICAN 92H BOOM COMPOSITION

Boom Length In Feet	30 Ft. 92H Inner	20 Ft. 92H Base	50 Ft. 92XH Center	10 Ft. 92H Center	50 Ft. 92H Center	40 Ft. 92H Outer
150	1	1	1	1	-	1
160	1	2	1	-	-	1
170	1	-	1	-	1	1
180	1	-	1	1	1	1
190	1	1	1	-	1	1
200	1	1	1	1	1	1
210	1	2	1	-	1	1
220	1	-	1	-	2	1
230	1	-	1	1	2	1
240	1	1	1	-	2	1
250	1	1	1	1	2	1
260	1	2	1	-	2	1
270	1	-	1	-	3	1
280	1	-	1	1	3	1
290	1	1	1	-	3	1
300	1	1	1	1	3	1
310	1	2	1	-	3	1
320	1	-	1	-	4	1
330	1	-	1	1	4	1
340	1	1	1	-	4	1
350	1	1	1	1	4	1

AMERICAN 77M MAST COMPOSITION

Mast Length In Feet	30 Ft. 77M Inner	20 Ft. 77M Center	10 Ft. 77S Center	20 Ft. 77S Center	50 Ft. 77S Center	50 Ft. 77M Outer
100	1	1	-	-	-	1
130	1	1	1	1	-	1
150	1	1	-	-	1	1
180	1	1	1	1	1	1

ASTHA STERLING CRANE

AMERICAN BOOM – SECTION WEIGHTS

Boom Sections c/w Pendants	47" S Tubular		59" S & H Tubular		77" S & H Tubular		92" HT & HD Tubular	
	LBS.	KGS.	LBS.	KGS.	LBS.	KGS.	LBS.	KGS.
Butt (Inner)	1,819	825	2,403	1 090	4,409	2 000	8,488	3 850
10 Foot	706	320	948	430	1,422	645	1,808	820
20 Foot	1,235	560	1,713	777	2,447	1 110	3,550	1 610
30 Foot	1,885	855						
40 Foot			2,921	1 325				
50 Foot					5,457	2 475	5,953	2 700
50 Foot XHD							7,297	3 310
Transition			1,433	650	2,999	1 360		
Taper Tip	2,095	950	2,205	1 000	3,417	1 550	11,133	5 050
Hammerhead			2,800	1 270	6,041	2 740		
Load Block			1,488	675 (60T)				

JIB SECTIONS		LBS.	KGS.
#7HL	30 Foot Basic Jib Assembly	1,259	570
	10' Section	199	90
	20' Section	386	175
#9HL	40 Foot Basic Jib Assembly	1,720	780
	10' Section	199	90
	20' Section	386	175
#15	30 Foot Basic Jib Assembly	1,951	885
	10' Section	298	135
#16HL	40 Foot Basic Jib Assembly	2,624	1 190
	10' Section	243	110
	20' Section	518	235
#30	25 Foot Basic Jib Assembly	TBD	TBD
	10' Section	TBD	TBD