



TRANSPORTATION SPECS - Rough Terrain Cranes

TADANO MODEL TR-650XL-3 - 65 TON CAPACITY

<u>COMPONENT WEIGHTS</u>		<u>LBS.</u>	<u>KGS.</u>
Complete Crane (incl. block, ball & jib)	(1)	95,488	43 312
Main Unit c/w Outriggers (excl. cwt, main winch*, block, ball, & jib)	(2)	77,578	35 162
Main Unit c/w Outriggers (excl. cwt & main winch)	(3)	81,230	36 846
Counterweight		12,125	5 502
Counterweight (inc. winch)		14,255	6 468
Boom		18,718	8 490

ADDITIONAL INFORMATION

65 Ton Block		1,100	500
6.2 Ton Ball		330	150
2-Stage Jib (32'-56')		2,222	1 008
Main Winch c/w Line		2,130	966
Main Load Line (19 mm x 190 m)		648	294
Auxiliary Hoist Line (19 mm x 110 m)		375	170

*Main winch is bolted on top of counterweight.

TRANSPORTATION

Alberta and Saskatchewan

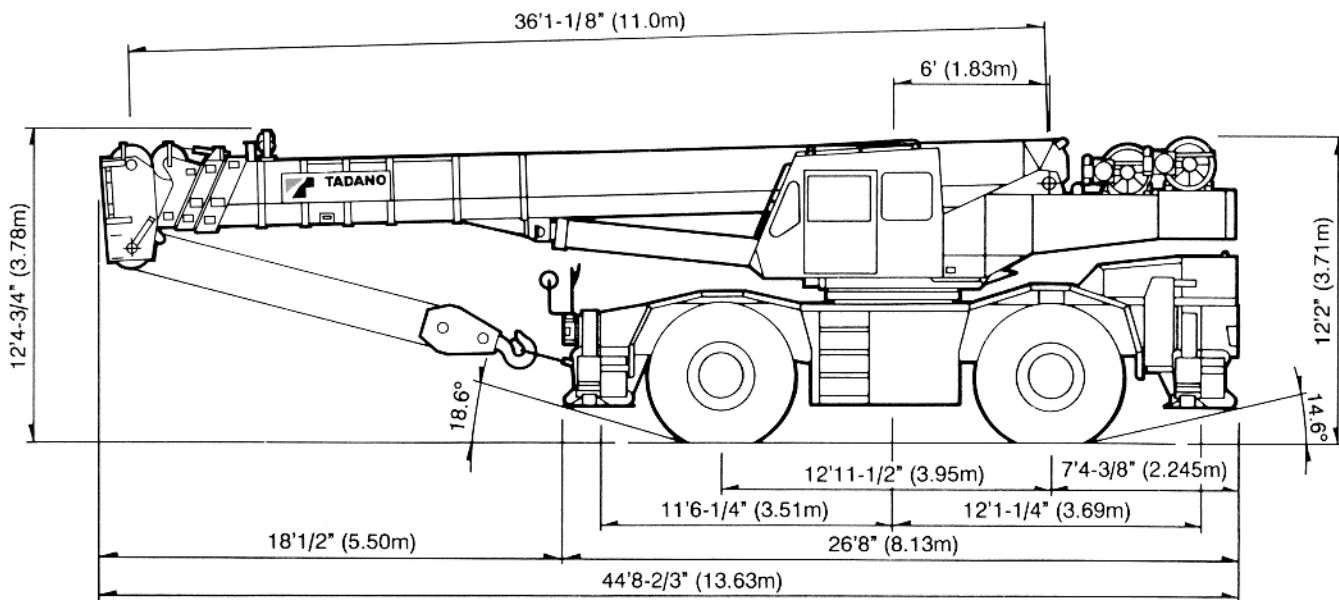
	<u>Weight</u>	<u>Trailer</u>
• Spring	(1)	36 wh
• Summer	(1)	24 wh
• Winter	(1)	20 wh

British Columbia

• Spring cwt, winch, block, ball & jib	(2) 17,907	7-8 axle LTL
• Summer & Winter cwt & main winch	(3) 14,255	7 axle LTL
• Lower Mainland	(1)	7-8 axle

ASTHA STERLING CRANE

DIMENSIONS



Note: Dimension is with boom angle at -1.5° .

GENERAL DIMENSIONS (29.5 X 25 Tires)

	Feet	Meters
Turning Radius:		
4 wheel steer	21' 11-3/4"	6.7
2 wheel steer	39' 1/2"	11.9
Tail swing of counterweight	13' 6-1/4"	4.12

